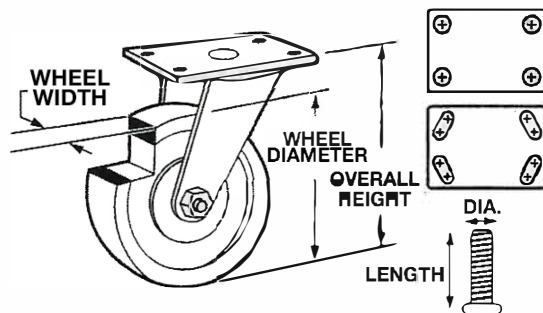


CASTER SELECTION GUIDE

With so many wheel/caster options available, it can be a challenge to choose the right one for your application. This guide will help you through the process by providing basic information needed to select casters. Please call **1-800-338-1382** for more assistance.

Caster Diagrams



Wheel Materials

- | | |
|----------------|----------------------|
| Semi-Steel | Phenolic |
| Mold-on Rubber | Thermoplastic Rubber |
| Polyolefin | Pneumatic |
| Polyurethane | Stainless Steel |

Brake and Lock Options

Swivel Lock - Hand-operated lever prevents the caster from swiveling. Locks every 90 degrees.

Face Wheel Brake - Foot-operated lever pushes a pad against the wheel tread to prevent rolling.

Total Lock Brake - Foot-operated pedal pushes a face wheel brake and locks the swivel at any point.

Caster Capacity

Caster Capacity is the total weight an individual caster can support. To determine which caster capacity is best for your application, divide the total weight of the load by the number of casters you need. Choose the caster with the capacity greater than or equal to your findings.

Wheel/Caster Guidelines

| Floor Surfaces | Rubber | Phenolic (Molded Plastic) | Iron or Semi-Steel | Polyurethane | Polyolefin | Semi- or Full-Pneumatic |
|----------------|--------|---------------------------|--------------------|--------------|------------|-------------------------|
| Asphalt | E | F | NR | E | F | E |
| Tile | E | F | NR | E | F | E |
| Concrete | E | G | F | E | G | E |
| Hardwood | E | G | NR | E | G | E |
| Carpet | G | G | NR | G | G | G |

E=Excellent G=Good F=Fair NR=Not Recommended

Swivel Ball Bearing Types

Single Ball Bearings - Recommended when swivelling efficiency is not important and done infrequently. Features a single row of steel balls housed in a formed raceway.

Double Ball Bearings - Most common swivel bearing. Large diameter upper raceway distributes the load while a smaller diameter lower raceway swivels. For smoother, quieter swiveling, and when item is turned often.